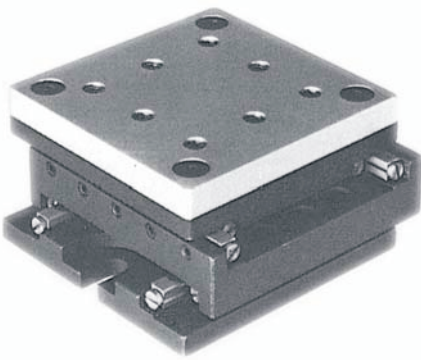


COORDINATE FRICTIONLESS TABLES TYPE NB



Standard Model

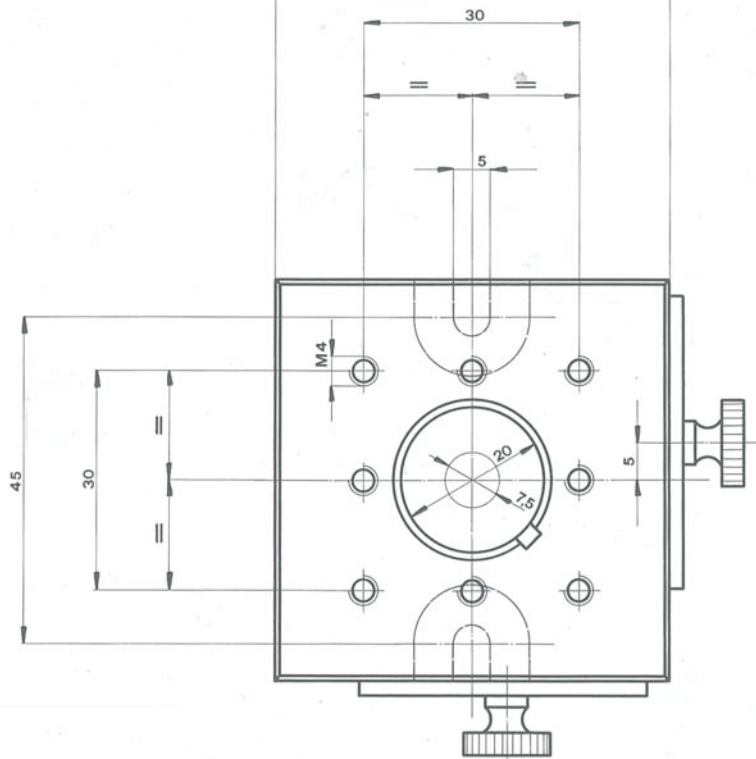
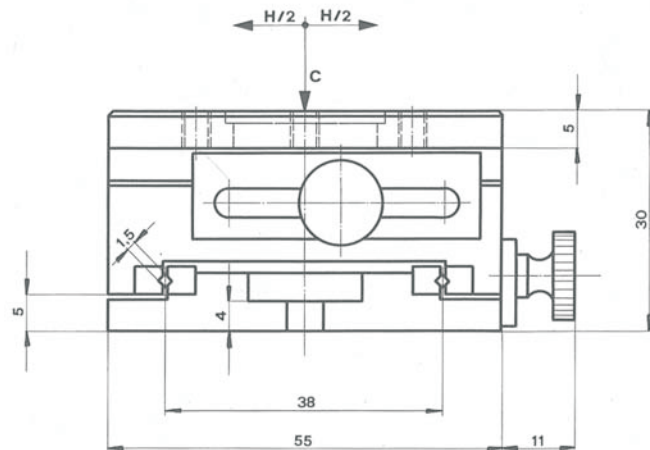
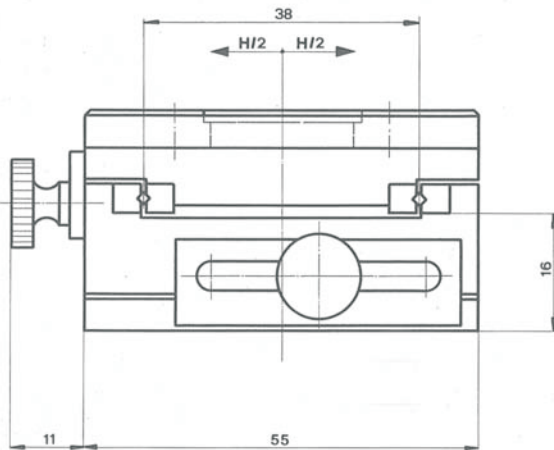
Material : Light metal; steel attaching plate

On this table the centre hole Dia. 20 [mm] for lighting, can be used to max. Dia 7,5 [mm] in the end positions, as per the drawing. Each of the coordinate movements can be locked in the desired position. Equipped with Type CC cages; for the load carrying cage see dimension K_t .

Special Model

On request the steel attaching plate can be supplied without the Dia. 20 [mm] hole.

1 Suffix therefor **OD**



Order No.	H	K_t	C [N]	[kg]			
NB 1 - 55/55	25	33	480	0,300			